

# 903M/953M/959M

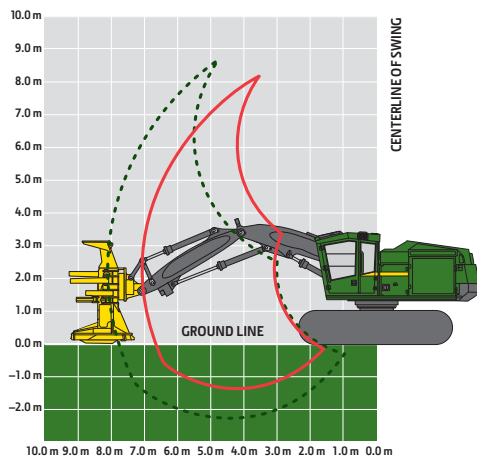
<b>Engine</b>	903M/953M/959M		
Manufacturer and Model	John Deere PowerTech™ Plus 6090PSS		
Non-Road Emission Standard	EPA Final Tier 4 / EU Stage IV		
Displacement	9.0 L (549 cu. in.)		
Peak Power at 1,900 rpm	246 kW (330 hp)		
Net Peak Torque at 1,500 rpm	1392 Nm (1,027 lb.-ft.)		
<b>Cooling</b>			
Fan Type	Suction type, hydraulically driven, variable speed, reversing		
<b>Hydraulics</b>			
Closed center, load sense, pressure compensated			
<b>Main Pump</b>	Variable-displacement axial piston		
Maximum Rated Flow	532 L/min. (141 gpm)		
<b>Continuous Saw Pump</b>	Dedicated variable-displacement axial piston		
Maximum Rated Flow	114 L/min. (30 gpm)		
<b>Attachment Pump</b>	Dedicated variable-displacement axial piston		
Maximum Rated Flow	135 L/min. (36 gpm)		
Oil Filtration	2 main return filters, 10-micron return with bypass, one case-drain strainer, 25 micron		
<b>Electrical</b>			
Voltage	24 volt		
Number of Batteries	2 x 12 volt		
Alternator Rating	200 amp		
<b>Work Lights</b>			
Standard	Halogen (8 flood, 5 spot)		
Optional	LED (11 flood, 3 spot)		
<b>Service Lights</b>			
Standard	Halogen (3)		
Optional	LED (3)		
<b>Undercarriage</b>	903M	953M	959M
Integral track guides, thick high-abrasion-resistant material, ramp angles, hydraulic track adjustment			
Track Size	U7 Extreme Duty (EXD)	U7 EXD	U7L EXD
Track Chain	215.9 mm (8.5 in.)	215.9 mm (8.5 in.)	215.9 mm (8.5 in.)
Number of Track Links (per side)	47	47	47
Lower Rollers (per side)	9	9	10
Carrier Slides / Rollers (per side)	2	2	2
<b>Travel Performance</b>			
Travel Speed, Forward and Reverse			
High	4.2 km/h (2.6 mph)	4.2 km/h (2.6 mph)	3.6 km/h (2.2 mph)
Low	2.1 km/h (1.3 mph)	2.1 km/h (1.3 mph)	1.7 km/h (1.0 mph)
Tractive Effort	322 kN (72,300 lbf)	322 kN (72,300 lbf)	373 kN (83,880 lbf)
<b>Rotating Upper</b>			
<b>Swing System, Standard</b>			
Swing Speed (maximum)	6.7 rpm	4.8 rpm	4.8 rpm
Swing Torque	80 170 Nm (59,130 lb.-ft.)	110 170 Nm (81,260 lb.-ft.)	110 170 Nm (81,260 lb.-ft.)
Swing Brake	Sealed wet multi-disc, manually applied/released		
<b>Serviceability</b>	903M/953M/959M		
Fuel Tank	1080 L (285 gal.)		
Diesel Exhaust Fluid (DEF) Tank	42 L (11 gal.)		
<b>Ground Pressure (SAE J1309)</b>	903M	953M	959M
Includes standard equipment, 7.01-m boom, half-full fuel tank, and all fluids, less attachment			
Undercarriage	U7 EXD	U7 EXD	U7L EXD
Counterweight	Small	Large	Medium
Boom	Standard	Power	Power
<b>Double Grouser</b>			
610 mm (24 in.)	59.9 kPa (8.7 psi)	63.8 kPa (9.3 psi)	72.6 kPa (10.5 psi)
762 mm (30 in.)	50.3 kPa (7.3 psi)	53.4 kPa (7.8 psi)	N/A
<b>Single Grouser</b>			
610 mm (24 in.)	59.8 kPa (8.7 psi)	63.6 kPa (9.2 psi)	72.4 kPa (10.5 psi)
711 mm (28 in.)	52.0 kPa (7.5 psi)	55.3 kPa (8.0 psi)	62.8 kPa (9.1 psi)
<b>Triple Grouser (soft terrain only)</b>			
914 mm (36 in.)	42.8 kPa (6.2 psi)	45.3 kPa (6.6 psi)	N/A

Machine not exactly as shown. Illustrations for dimensioning purposes only. Specifications are subject to change without notice.

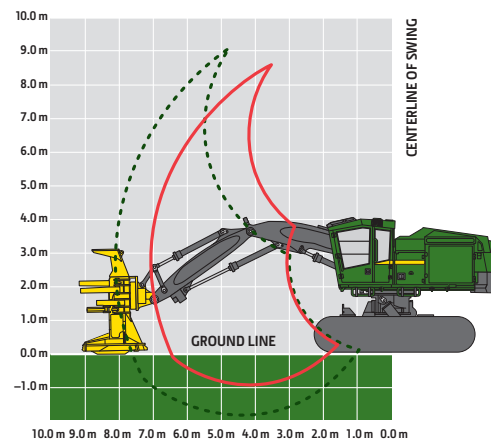


Operating Weight	903M	953M	959M
Includes standard equipment, 7.01-m boom, 610-mm (24 in.) double-grouser tracks, half-full fuel tank, and all fluids, less attachment			
Undercarriage	U7 EXD	U7 EXD	U7L EXD
Counterweight	Small	Large	Medium
Boom	Standard	Power	Power
Approximate Weight — Base Machine	31 330 kg (69,080 lb.)	33 330 kg (73,490 lb.)	37 760 kg (83,260 lb.)
Boom Performance			
<b>7.01-m Boom</b>	With FR22B	With FR24B	With FR24B
Maximum Reach (to tip of saw blade)	8.88 m (29 ft. 1 in.)	8.88 m (29 ft. 1 in.)	8.88 m (29 ft. 1 in.)
Minimum Reach (to tip of saw blade)	4.87 m (15 ft. 11 in.)	4.87 m (15 ft. 11 in.)	4.87 m (15 ft. 11 in.)
Cutting Swath	4.01 m (13 ft. 2 in.)	4.01 m (13 ft. 2 in.)	4.01 m (13 ft. 2 in.)
Lift Option	<i>Standard without Rapid Cycle System (RCS)</i>		
Lift Capacity, Bare Pin at Full Reach	5890 kg (12,990 lb.)	<i>High-Lift Option with RCS</i> 7260 kg (16,010 lb.)	<i>Power-Lift Option with and without RCS</i> 7970 kg (17,570 lb.)
Lift Capacity, Bare Pin at 6.1 m (20 ft.)	7680 kg (16,930 lb.)	9370 kg (20,660 lb.)	10 260 kg (22,620 lb.)
<b>8.08-m Boom</b>	With FR21B	N/A	N/A
Maximum Reach (to tip of saw blade)	9.82 m (32 ft. 3 in.)	N/A	N/A
Minimum Reach (to tip of saw blade)	4.64 m (15 ft. 3 in.)	N/A	N/A
Cutting Swath	5.18 m (17 ft. 0 in.)	N/A	N/A
Lift Option	<i>Standard with and without RCS</i>		
Lift Capacity, Bare Pin at Full Reach	4890 kg (10,780 lb.)	N/A	N/A
Lift Capacity, Bare Pin at 6.1 m (20 ft.)	7470 kg (16,470 lb.)	N/A	N/A

903M and 953M Tracked Feller Bunchers



959M Tracked Feller Buncher



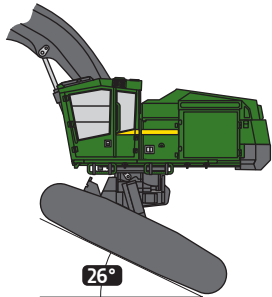
#### Attachment Information

Attachment	FR21B (8.08-m boom only)	FS22B (7.01-m boom only)	FR22B (7.01-m boom only)	FR24B
Models	903M	903M, 953M, 959M	903M, 953M, 959M	953M, 959M
Maximum Cutting Capacity	545 mm (21.5 in.)	559 mm (22.0 in.)	559 mm (22.0 in.)	622 mm (24.5 in.)
Maximum Accumulation Capacity	0.46 m <sup>2</sup> (5.0 sq. ft.)	0.48 m <sup>2</sup> (5.2 sq. ft.)	0.48 m <sup>2</sup> (5.2 sq. ft.)	0.60 m <sup>2</sup> (6.4 sq. ft.)
Opening at Front of Housing	1180 mm (46.5 in.)	1280 mm (50.4 in.)	1280 mm (50.4 in.)	1372 mm (54.0 in.)
Blade Diameter	1372 mm (54.0 in.)	1422 mm (56.0 in.)	1422 mm (56.0 in.)	1549 mm (56.0 in.)
Number of Teeth	18	18	18	20
Saw rpm	1,150 rpm	1,150 rpm	1,150 rpm	1,150 rpm
Wrist Rotation	302 deg.	30 deg.	312 deg.	310 deg.
Width at Saw Housing	1550 mm (61.0 in.)	1620 mm (63.8 in.)	1620 mm (63.8 in.)	1737 mm (68.4 in.)
Height	2820 mm (111.0 in.)	3068 mm (120.8 in.)	3068 mm (120.8 in.)	3068 mm (120.8 in.)
Weight (including adapter and wrist)	3140 kg (6,920 lb.)	3550 kg (7,830 lb.)	3840 kg (8,470 lb.)	4020 kg (8,860 lb.)

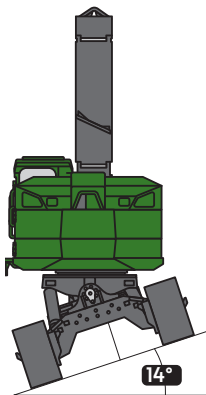
# 903M/953M/959M

Machine Dimensions	903M	953M	959M
Standard Undercarriage	U7 EXD	U7 EXD	U7L EXD
<b>A</b> Overall Height with 7.01-m Boom			
Top of Cab with Flat Skylight	3.55 m (11 ft. 8 in.)	3.55 m (11 ft. 8 in.)	4.03 m (13 ft. 3 in.)
Top of Cab with Peaked Skylight	3.77 m (12 ft. 4 in.)	3.77 m (12 ft. 4 in.)	4.24 m (13 ft. 11 in.)
Top of Boom, Extended, Attachment Vertical	3.86 m (12 ft. 8 in.)	3.86 m (12 ft. 8 in.)	4.07 m (13 ft. 4 in.)
<b>B</b> Overall Track Length	4.90 m (16 ft. 1 in.)	4.90 m (16 ft. 1 in.)	4.90 m (16 ft. 1 in.)
<b>C</b> Track Length (idler to sprocket center)	3.83 m (12 ft. 7 in.)	3.83 m (12 ft. 7 in.)	3.81 m (12 ft. 6 in.)
<b>D</b> Tail Swing (from swing center)	3.18 m (10 ft. 5 in.)	3.18 m (10 ft. 5 in.)	3.18 m (10 ft. 5 in.)
<b>E</b> Boom Reach (to attachment pin)			
Standard 7.01-m Boom			
Maximum	7.01 m (23 ft. 0 in.)	7.01 m (23 ft. 0 in.)	7.01 m (23 ft. 0 in.)
Minimum	3.00 m (9 ft. 10 in.)	3.00 m (9 ft. 10 in.)	3.00 m (9 ft. 10 in.)
Cutting Swath	4.01 m (13 ft. 2 in.)	4.01 m (13 ft. 2 in.)	4.01 m (13 ft. 2 in.)
Optional 8.08-m Boom			
Maximum	8.08 m (26 ft. 6 in.)	N/A	8.08 m (26 ft. 6 in.)
Minimum	2.90 m (9 ft. 6 in.)	N/A	2.90 m (9 ft. 6 in.)
Cutting Swath	5.18 m (17 ft. 0 in.)	N/A	5.18 m (17 ft. 0 in.)
<b>F</b> Ground Clearance			
Single Grouser	779 mm (31 in.)	779 mm (31 in.)	770 mm (30 in.)
Double Grouser	756 mm (30 in.)	756 mm (30 in.)	747 mm (29 in.)
Triple Grouser	738 mm (29 in.)	738 mm (29 in.)	N/A
<b>G</b> Upperstructure Width			
With Standard Walkway	N/A	N/A	3.20 m (10 ft. 6 in.)
Without Optional Walkway	3.05 m (10 ft. 0 in.)	3.05 m (10 ft. 0 in.)	N/A
With Optional Walkway	3.20 m (10 ft. 6 in.)	3.20 m (10 ft. 6 in.)	N/A
<b>H</b> Track Gauge	2.69 m (8 ft. 10 in.)	2.69 m (8 ft. 10 in.)	2.72 m (8 ft. 11 in.)
<b>I</b> Width Over Tracks			
610-mm (24 in.) Track Shoes	3.30 m (10 ft. 10 in.)	3.30 m (10 ft. 10 in.)	3.33 m (10 ft. 11 in.)
711-mm (28 in.) Track Shoes	3.40 m (11 ft. 2 in.)	3.40 m (11 ft. 2 in.)	3.43 m (11 ft. 3 in.)
760-mm (30 in.) Track Shoes	3.45 m (11 ft. 4 in.)	3.45 m (11 ft. 4 in.)	N/A
914-mm (36 in.) Track Shoes	3.61 m (11 ft. 10 in.)	3.61 m (11 ft. 10 in.)	N/A

959M Leveling



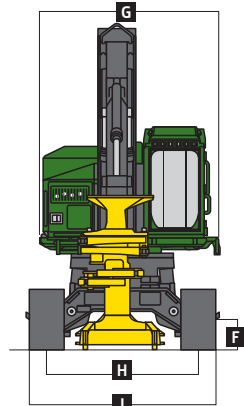
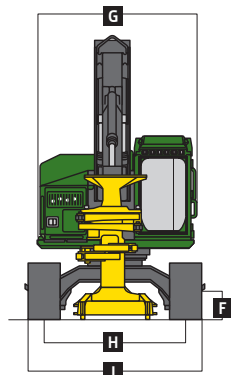
26°



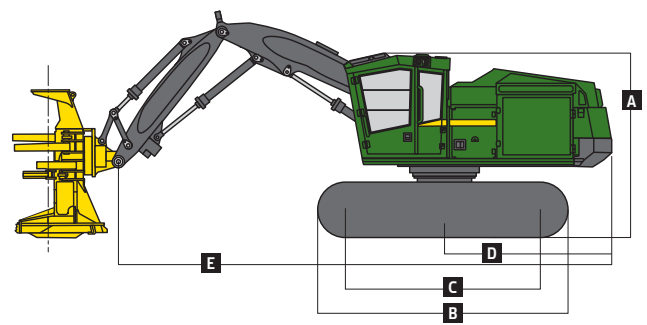
14°

**959M Undercarriage-Leveling Mechanism**

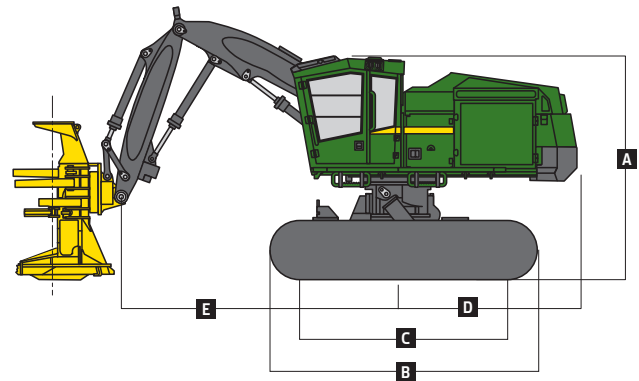
Forward	26 deg.
Side to Side	14 deg.
Rearward	7 deg.



903M / 953M Tracked Feller Bunchers



959M Tracked Feller Buncher



Machine not exactly as shown. Illustrations for dimensioning purposes only. Specifications are subject to change without notice.