

1170G

Engine	1170G 6W / 8W	
Manufacturer and Model	John Deere PowerTech™ Plus 6068	
Non-Road Emission Standard	EPA Final Tier 4 / EU Stage IV	
Maximum Power	155 kW (208 hp) at 2,000 rpm	
Net Peak Torque	978 Nm (721 lb.-ft.) at 1,200–1,500 rpm	
Fuel Tank Capacity	300 L (79.3 gal.)	
Diesel Exhaust Fluid (DEF) Tank Capacity		
Total	24 L (6.3 gal.)	
Usable	13 L (3.4 gal.)	
Transmission	1170G 6W	1170G 8W
Hydrostatic-mechanical, 2-speed gearbox		
Tractive Force	150 kN (33,700 lb.)	160 kN (35,969 lb.)
Travel Speed		
Gear 1	0–7.5 km/h (0–4.7 mph)	0–7.5 km/h (0–4.7 mph)
Gear 2	0–24 km/h (0–14.9 mph)	0–24 km/h (0–14.9 mph)
Steering/Brakes	1170G 6W / 8W	
Proportional frame steering with electrical joystick		
Turning Angle	± 44 deg.	
Brakes	Hydraulically actuated, oil-immersed, multi-disc service brakes	
Parking/Emergency	Spring actuated	
Frame Oscillation	Automated	
Axles/Bogies	1170G 6W	1170G 8W
Axles	Electrohydraulic differential lock at front and rear	
Front	Balanced bogie axle	Balanced bogie axle
Rear	Rigid axle	Balanced bogie axle
Electrical	1170G 6W / 8W	
Voltage	24 volt	
Batteries	2 x 145 Ah	
Alternator	150 A (28 volt)	
Lights	60 lux	
Hydraulics		
Load sensing		
Pump Capacities	190 cm ³ (11.6 cu. in.)	
Working Pressure	24 MPa (3,480 psi) / 28 MPa (4,060 psi)	
Hydraulic Tank	160 L (42.3 gal.)	
Boom		
Type	CH6	
Maximum Reach Lengths (head included)	10.0 m (32.8 ft.) / 11.3 m (37.1 ft.)	
Gross Lifting Torque	165 kNm (121,700 ft.-lb.)	
Slewing Torque	45 kNm (33,200 ft.-lb.)	
Slewing Angle	220 deg.	
Tilt Angle, Forward / Back	+28 / –14 deg.	
Cabin		
Rotating and leveling		
Rotating Angle	160 deg.	
Sideways Tilt	17 deg.	
Forward and Backward Tilt	10 deg.	
Measuring and Control System		
Type	PC / Windows® 7-based TimberMatic H-16	
Harvester Heads		
Attachments	H412, H413, and H414	

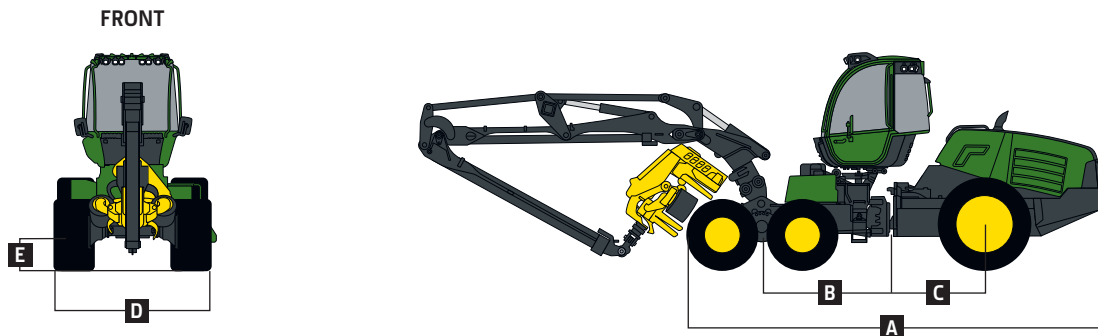
Specifications are subject to change without notice.



Dimensions*	1170G 6W	1170G 8W
A Length	7240 mm (23.75 ft.)	7450 mm (24.44 ft.)
B Front Axle – Middle Joint	2020 mm (6.63 ft.)	2020 mm (6.63 ft.)
C Rear Axle – Middle Joint	1850 mm (6.07 ft.)	1950 mm (6.40 ft.)
B + C Wheelbase	3870 mm (12.70 ft.)	3970 mm (13.02 ft.)
Tires		
Front	24.5 in. or 26.5 in.	24.5 in.
Rear	34 in.	24.5 in.
D Width		
600-Series Tires	Min. 2600 mm (8.5 ft.)	Min. 2600 mm (8.5 ft.)
650-Series Tires	Min. 2720 mm (8.92 ft.)	Min. 2720 mm (8.92 ft.)
710-Series Tires	Min. 2840 mm (9.32 ft.)	Min. 2840 mm (9.32 ft.)
Outer Turning Radius – 710-Series Tires	6338 mm (20.79 ft.)	6496 mm (21.31 ft.)
Inner Turning Radius – 710-Series Tires	3285 mm (10.78 ft.)	3467 mm (11.37 ft.)
Transport Height	3768 mm (12.36 ft.)	3756–3933 mm (12.32–12.90 ft.)
Transport Length	11 868 mm (38.94 ft.)	11 797 mm (38.70 ft.)
E Ground Clearance, Middle Joint	633 mm (24.9 in.)	618 mm (24.3 in.)
Minimum Machine Weight w/ Harvester Head	17 800 kg (39,242 lb.)	19 500 kg (42,990 lb.)

*Dimensions are guidelines only and may vary depending on production tolerances.

1170G 6W



1170G 8W

